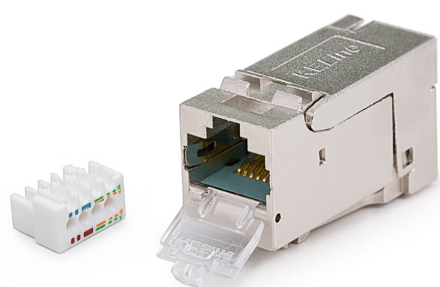


Keystone Jack HD, Category 6_A, RJ45/s

P/N: KEJ-C6A-S-HD

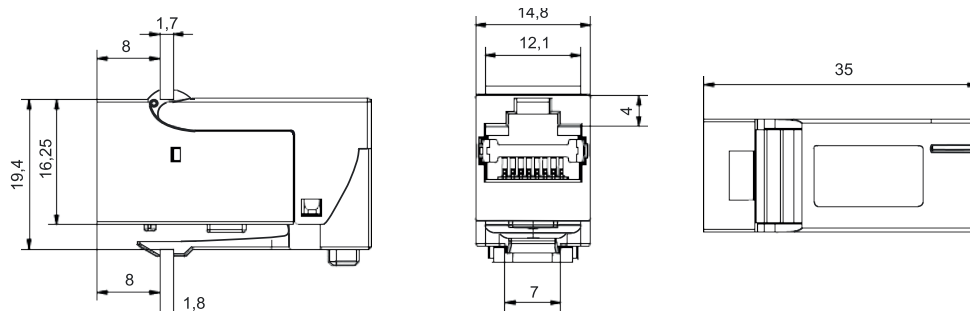


features

- enables to install 24 modules into 0,5U and achieve a high density of up to 48 ports on 1U
- low profile design reduces the required installation depth of 5 mm
- tool-free, fast and easy installation
- PoE Type 4 (100W) tested in GHMT laboratories
- enables transmission of all high-speed protocols including 10GBASE-T
- guarantees a bandwidth of 500 MHz
- perfectly shielded against Alien Crosstalk and electromagnetic interference
- dust-proof shutter
- nickel plated housing
- suitable for a wide range of outlets, duct and channel systems
- applicable on cables with solid wires (guarantees of anti-corrosive a gas-tight joint)
- applicable on cables with stranded wires by using a special plastic insert (guarantees of anti-corrosive a gas-tight joint)

application

- primary (Campus), secondary (Riser), tertiary (Horizontal)
- IEEE 802.3: 10Base-T; 100Base-T; 1000Base-T; 10GBase-T
- IEEE 802.5 16 MB; ISDN; FDDI; ATM
- high bandwidth digital applications with low BER
- multimedia transmissions like digital and analog video and voice



mechanical properties

| | | |
|-------------------------------|---|---------------------------------------|
| Suitable for installing on | cables with solid wires | from 0,51 to 0,64mm (AWG 24 - AWG 22) |
| | cables with stranded wires (special plastic insert) | from AWG 27/7 to AWG 26/7 |
| Required installation depth | 10 - 35mm - sockets with angled faceplates | |
| | 35mm - sockets with straight faceplates | |
| Insertion / extraction cycles | min. 750 | |
| Temperature range | operation -40°C to +70°C | |
| IDC reterminations | min. 20 | |
| Contact pin material | phosphor-bronze alloy coated with 50 μ of gold | |
| IDC contacts material | high strength phosphor-bronze alloy | |
| IDC contacts plating | 100 micron tin alloy | |

electrical properties at 20°C

| | |
|------------------------------|-----------|
| Current rating | 1,25A max |
| Contact resistance of spring | 20mΩ max |
| Contact resistance of IDC | 2,5mΩ max |

| | |
|-----------------------|-------------------------------|
| Dielectric strenght | 1000Vac/ 1 minute C to C |
| | 1500Vac/ 1 minute C to Panelu |
| Insulation resistance | 500MΩ |

transmission properties at 20°C

| f (MHz) | Attenuation (dB/100m) | NEXT (dB min) | PS-NEXT (dB min) | FEXT (dB min) | Return loss (dB min) | TCL (dB min) | PS-ANEXT (dB min) | PS-AFEXT (dB min) |
|---------|-----------------------|---------------|------------------|---------------|----------------------|--------------|-------------------|-------------------|
| 1,0 | 0,1 | 75,0 | 72,0 | 75,0 | 30,0 | 40,0 | 72,0 | 72,0 |
| 4,0 | 0,1 | 75,0 | 72,0 | 71,1 | 30,0 | 40,0 | 72,0 | 72,0 |
| 10,0 | 0,1 | 74,0 | 70,0 | 63,1 | 30,0 | 40,0 | 72,0 | 72,0 |
| 16,0 | 0,1 | 69,9 | 65,9 | 59,0 | 30,0 | 40,0 | 72,0 | 72,0 |
| 20,0 | 0,1 | 68,0 | 64,0 | 57,1 | 30,0 | 40,0 | 72,0 | 72,0 |
| 31,2 | 0,1 | 64,1 | 60,1 | 53,2 | 30,0 | 38,1 | 72,0 | 72,0 |
| 62,5 | 0,16 | 58,1 | 54,1 | 47,2 | 30,0 | 32,1 | 72,0 | 71,1 |
| 100,0 | 0,2 | 54,0 | 50,0 | 43,1 | 28,0 | 28,0 | 70,5 | 67,0 |
| 155,0 | 0,24 | 50,2 | 46,2 | 39,3 | 25,0 | 25,0 | 66,7 | 63,2 |
| 200,0 | 0,28 | 48,0 | 44,0 | 37,1 | 22,0 | 22,0 | 64,5 | 61,0 |
| 250,0 | 0,32 | 46,0 | 42,0 | 35,1 | 20,0 | 20,0 | 62,5 | 59,0 |
| 300,0 | 0,35 | 43,7 | 39,7 | 33,6 | 18,5 | 18,5 | 61,0 | 57,5 |
| 400,0 | 0,4 | 39,9 | 35,9 | 31,1 | 16,0 | 16,0 | 58,5 | 55,0 |
| 500,0 | 0,45 | 37,0 | 33,0 | 29,1 | 14,0 | 14,0 | 56,5 | 53,0 |



This product is certified on a component level by GHMT international independent laboratories according to ISO/IEC 11801-1: 2017 (Ed. 1.0), IEC 60603-7-51:2010 (Ed. 1.0).